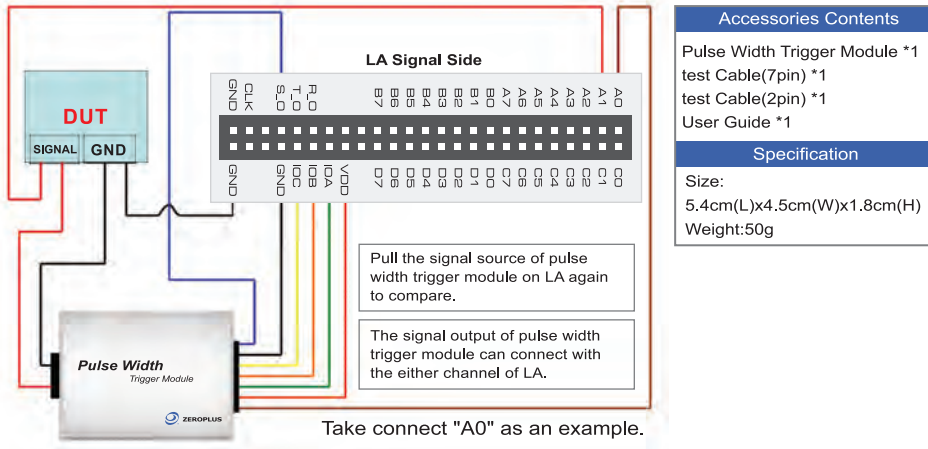


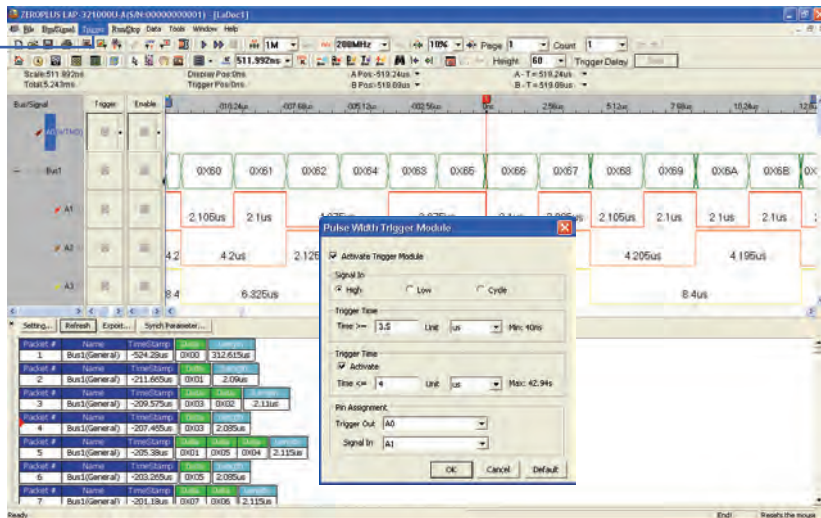
Pulse Width Trigger Module - User Manual

Suit For V3.03.05 Version

Hardware Wiring Diagram



Software Interface Setting



Trigger Time Setting

STEP 1 Signal In

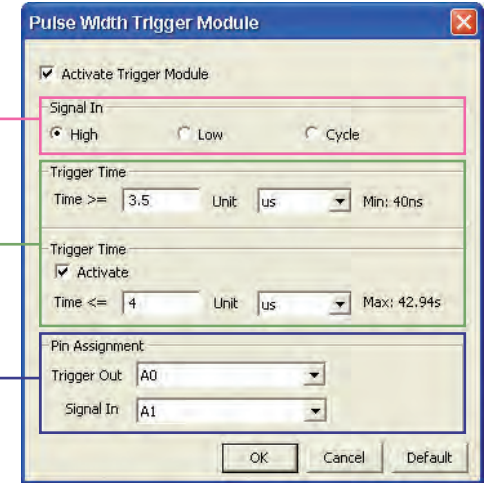
3 selectable trigger modes : high level, low level, and wave form cycle mode.

STEP 2 Trigger Time

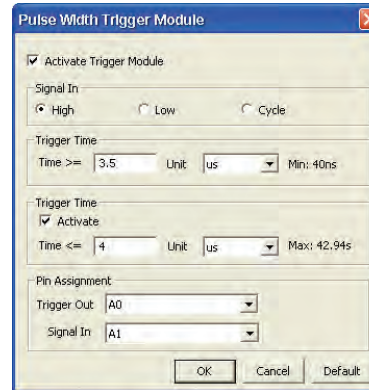
Minimum and maximum setting range : 40ns ~ 42.94sec.

STEP 3 Pin Assignment

Channel Set Up: pulse width trigger module output setting & signal setting.



Example



A0 is the output of pulse width trigger module, A1 is the original signal channel.

